



Date, 28.03.2007

ONGEBRAND B.V

Dear Ivo Van Der Putten,

We would like to thank you for your interest in Toper products.



CAFEMINO ELECTRICAL COFFEE ROASTING MACHINE

Model : Cafemino Electric

Hour Capacity : Between 3 – 4 Kgs roast per hour. Middle to Dark roast.

Batch Capacity : 1 Kg of green coffee

Roasting Time : 15 Minutes to 20Minutes. 15 Minutes for Brown roast – 20 Minutes for Dark roast.

Type of Roasting : Electric heating.

Dimensions (HxLxW) : 81 x 100 x 52 Cm

Weight : 82 Kg

Voltage : 110-220- Volts, 50-60Hz, 1- Phase are available regarding to customer preference

Source of Heat : Electric 2600 Watt

Number of Motors : There are 3 motors on the machine for efficient roasting process.

Colour : Red, Black, Green or customer based colour.

Body Type : Chrome, Brass or Copper body finishing

Security Systems :

- Electric Security System : To shut down all system in condition of any problem with electric
- Mixer Security System : To protect any injury to user from rotating cooling tray arms.
- Fire Control Suppression : To avoid any fire risk

Toper Karakundakoğlu Değirmen Makine San Ve Tic Ltd Şti

www.toper.com.tr toper@toper.com.tr

Adres: 5911 sok no:1 Karabağlar- İzmir-Turkey Tel : 90-232-254-01-21 Fax: 90-232-2372127

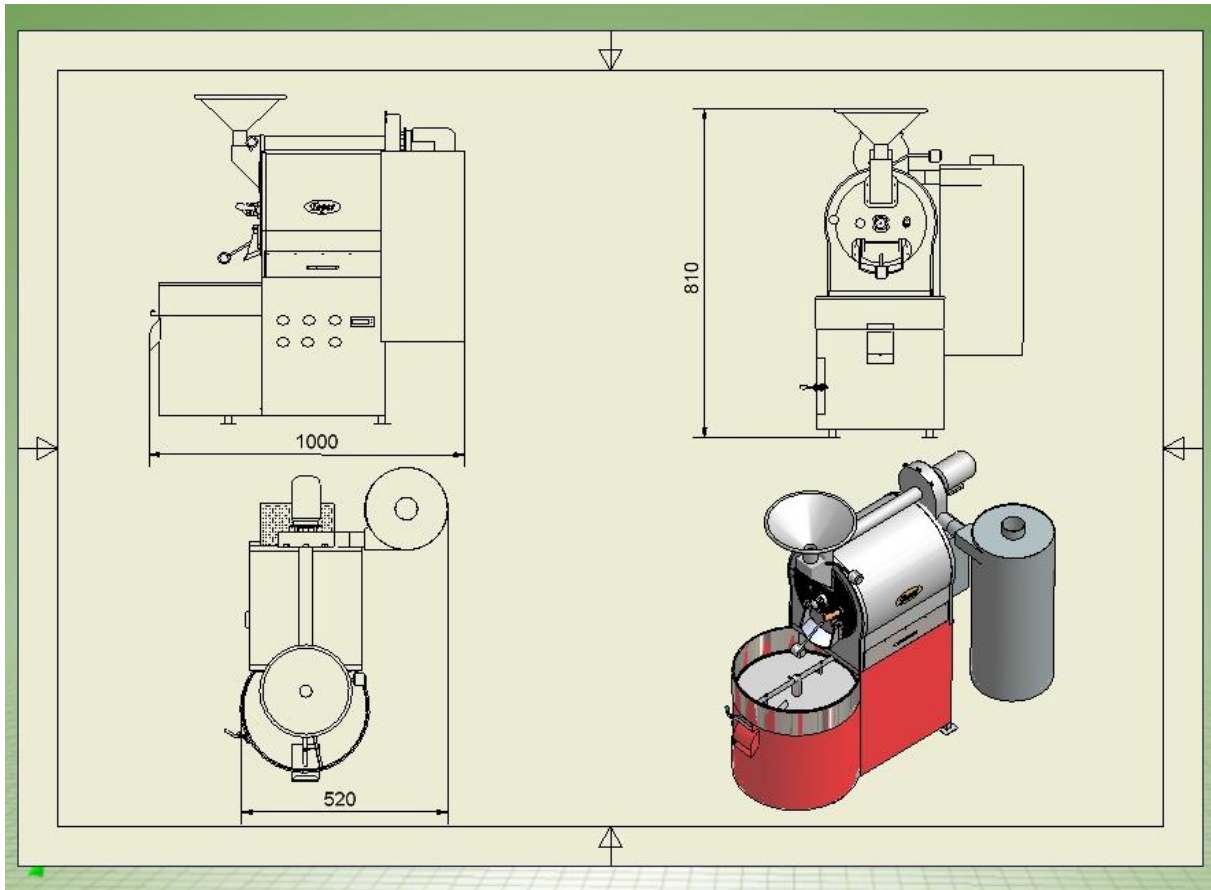


Temperature Control : Digital Temperature control

Other Specifications :

- Chaff Collector (Cyclone) is provided free.
- Simultaneous roasting and cooling at same time.
- Sampler and Glass window to control roasting
- Instalation and start up manual for easy using
- Electric panel components are CE – UL Standards listed

Schematic Diagram



TOPER CAFEMİNO 1KG COFFEE ROASTER

Toper Karakundakoğlu Değirmen Makine San Ve Tic Ltd Şti

www.toper.com.tr toper@toper.com.tr

Adres: 5911 sok no:1 Karabağlar- İzmir-Turkey Tel : 90-232-254-01-21 Fax: 90-232-2372127



Roasting Levels	Time	Temperature	Feature	Capacity
Light Roasting Lightest roast	14 min	220°C	Strong acid, yellowish brown color Grain smell exits (weak flavor)	4,5 kg/hour
Cinnamon Roasting Light roast	15 min	220°C	Slightly acid, cinnamon color American style, Turkish coffee	4 kg/hour
Medium Roasting Light-dark roast	16 min	220°C	Acid and sweet flavors, nut color American style	3.75 kg/hour
High Roasting Light-medium roast	17 min	220°C	Acid is stronger than bitter.	3,5 kg/hour
City Roasting Medium-medium roast	18 min	220°C	Standard taste Optimal taste and flavor from New York city	3,3 kg/hour
Full city Roasting Dark-medium roast	19 min	220°C	Bitter is stronger than acid. Iced coffee and etc	3,1 kg/hour
French Roasting Dark roast	20 min	220°C	Strong bitter, rich and unique taste, French style, European cafe ore, iced coffee	3 kg/hour
Italian Roasting Darkest roast	21 min	220°C	Strong bitter without acid, black Italian espresso, cappuccino	2,9 kg/hour

Toper Karakundakoğlu Değirmen Makine San Ve Tic Ltd Şti

www.toper.com.tr toper@tooper.com.tr

Adres: 5911 sok no:1 Karabağlar- İzmir-Turkey Tel : 90-232-254-01-21 Fax: 90-232-2372127